



R O K O N M A (M) S D N B H D

ESTABLISHED 1987 · MALAYSIA

MANUFACTURER OF CONVEYOR IDLER ROLLERS & ACCESSORIES

39+

YEARS OF CRAFT

500K

ROLLERS / YEAR

7

COUNTRY NETWORK

ISO

9001:2015 CERTIFIED

www.rokonma.com.my

WHO WE ARE

Built on precision. Scaled by trust.

Founded in Malaysia **1987**, Rokonma is a dedicated manufacturer of **belt conveyor idler rollers, brackets and related accessories**. From our **74,228+ sq. ft.** production facility in Shah Alam, Selangor, we deliver engineered reliability to bulk material handling systems across four continents.

Our products keep power plants, mines, ports, cement plant and airport handling systems moving — every day, at industrial scale.

500K+ROLLERS PRODUCED
ANNUALLY**3,000+**BRACKETS PRODUCED
ANNUALLY**2,500+**

ROLLERS PER DAY CAPACITY

60+

SKILLED & COMMITTED STAFF



GLOBAL FOOTPRINT

Manufacturing and support on four continents.

A network of manufacturing, sales and service facilities placed close to our key customers — so engineered components arrive where they are needed, when they are needed.



COUNTRY HIGHLIGHTS

■ Malaysia	HQ
■ USA	SALES
■ Middle East	SALES
■ Thailand	SALES
■ Indonesia	SALES
■ Australia	SALES
■ Philippines	SALES

EXPORT MARKETS

China · Hong Kong · Taiwan · Southeast Asia · Middle East · Africa · Australia · Europe · and beyond

WHAT WE ENGINEER

Manufacturer Of Conveyor Idler Rollers & Accessories

heavy-duty mining idlers to airport handling rollers, our range is designed for the specific physics of bulk and unit material handling.

01

Bulk Handling Idlers

Carry trough, flat carry, V-return and flat return idlers — configurable with steel, impact, or low-noise rollers for severe-duty applications.

20–45° trough

3 & 5 roll

Impact spec

03

Heavy-Duty Steel & Impact Rollers

Single and bi-directional training idlers with guide rollers that keep belts tracked to centre. Adjustable transition idlers handle trough-to-flat geometry.

SKF · NSK · NTN

Seal-for-life

ERW tube

05

Mine Structures & Frames

Suspended trough and return roller assemblies for underground mining, retractable frames for rapid roller replacement, jack-down idlers and complete drive & driven pulleys.

Hot-dip galv.

Ø up to 1,000 mm

L up to 3,000 mm

02

Training & Transition Idlers

Single and bi-directional training idlers with guide rollers that keep belts tracked to centre. Adjustable transition idlers handle trough-to-flat geometry.

±5° rotation

15° max adj.

Bi-directional

04

Low-Noise Rollers

Dynamically balanced rollers with nylon stone shields and Nylon options — deliver measured noise reductions of 8–18 dBA on cement and near- community installations.

Balanced

Nylon shield

Low dBA

06

Unit Handling & Airport

Gravity, groove, taper, sprocket and friction accumulation rollers for warehouse, logistics and baggage handling systems — with PVC end caps and press bearings.

Airport spec

Skate wheels

PVC / Steel

OUR PRODUCTS

Eight core product families covering every position on a belt conveyor — from the carry-side trough idlers that support the load, to the precision-bearing rollers that keep the belt running quietly for decades.



BULK HANDLING
Carry Trough Idler

20–45° trough angle. 3 or 5 roll design. Compatible with steel, impact and low-noise rollers.

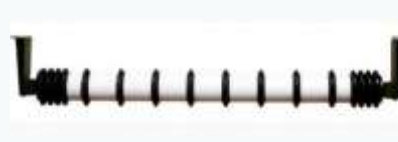
Equal angle / pipe transom



BULK HANDLING
Vee Return Idler

2-roll vee or flat return idler. Straight or bended transom available for different belt geometries.

Steel · Rubber disc · Spiral



BULK HANDLING
Flat Return Idler

Single-roll return assembly compatible with steel, rubber disc or spiral roller variants.

Cleaner roller integration



BELT TRACKING
Training Idler

Single & bi-directional designs with guide rollers. Upper frame rotates ±5° to centre the belt.

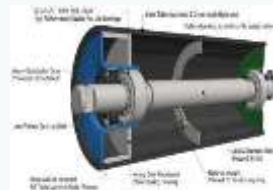
Carry & return variants



HEAVY DUTY
Impact Roller

Polyurethane impact rings on heavy-wall steel tube. Spherical roller bearings, triple labyrinth seals.

SKF · NSK · NTN bearings



SPECIALTY
Low Noise Roller

Dynamically balanced with nylon stone shield. Verified **8–18 dBA reduction** on cement plant lines.

Sealed-for-life bearings



SPECIALTY
Nylon Plastic Roller

Lightweight tube with nylon shield. Stepped stainless shafts and reinforced bearing housings.

Machined & balanced



UNDERGROUND MINING
Mine Structures Idler

3-roll suspended trough & 3-roll suspended return rollers. Hot-dip galvanised for harsh underground duty.

Complete mine structures

OUR PRODUCTS

Built to last. Engineered to perform.

Eight core product families covering every position on a belt conveyor — from the carry-side trough idlers that support the load, to the precision-bearing rollers that keep the belt running quietly for decades.



BULK HANDLING

Carry Trough Idler

- Option of 20-45 degrees angle for the side rollers.
- Can be used with steel rollers, impact rollers and low noise.
- Three or five roll design available.
- Offset or inline centre roller. Offset used to assist belt tracking for light and medium duty.
- Equal angle or pipe transom available.



BULK HANDLING

Vee Return Idler

- 2 roll vee or flat return idlers available.
- Straight transom or bended transom available

OUR PRODUCTS



BULK HANDLING

Flat Return Idler

- Transom or bracket designs available.
 - Used in skirt area of bin and feeder loading area.
-



BELT TRACKING

Return Training Idler

- Single direction return training idler with guide rollers.
 - Use to train conveyor belt back to its central position.
 - upper frame able to rotate in both direction on a limited 5 degrees
-

OUR PRODUCTS



BULK HANDLING

Flat Return Idler

- Can be used with steel, disc or spiral rollers
-



BELT TRACKING

Carry Trough Training Idler

- Single direction carry trough training idler with guide rollers.
 - use to train conveyor belt back to its central position
 - Upper frame able to rotate in both direction on a limited 5 degrees.
-

OUR PRODUCTS



BULK HANDLING

Bi-directional Carry Trough Training Idler

- Suitable for conveyor line that runs in both directions.
- When the belt tracks of its centre and hits the friction roller, it serves as a brake and guides the upper frame to rotate.
- Upper frame able to rotate in both direction on a limited 5 degrees.



BELT TRACKING

Bi-directional Return Training Idler

- Suitable for conveyor line that runs in both directions.
- When the belt tracks of its centre and hits the friction roller, it serves as a brake and guides the upper frame to rotate.
- Upper frame able to rotate in both direction on a limited 5 degrees.

OUR PRODUCTS



BULK HANDLING

Adjustable Transition Idlers

- Used on the carry side of the conveyor to support the belt as it goes from trough to flat position.
- Maximum adjustable angle of 15 degrees.



BELT TRACKING

Mine Structures Idler

- Complete mine structures for underground mining.
- 3 roll suspended trough and 3 roll suspended return rollers.
- Surface finish with hot dip galvanizing.

OUR PRODUCTS



BULK HANDLING

Jackdown Idlers

- Heavy duty design
 - Frame can be lowered under the belt for easy replacement of rollers.
-

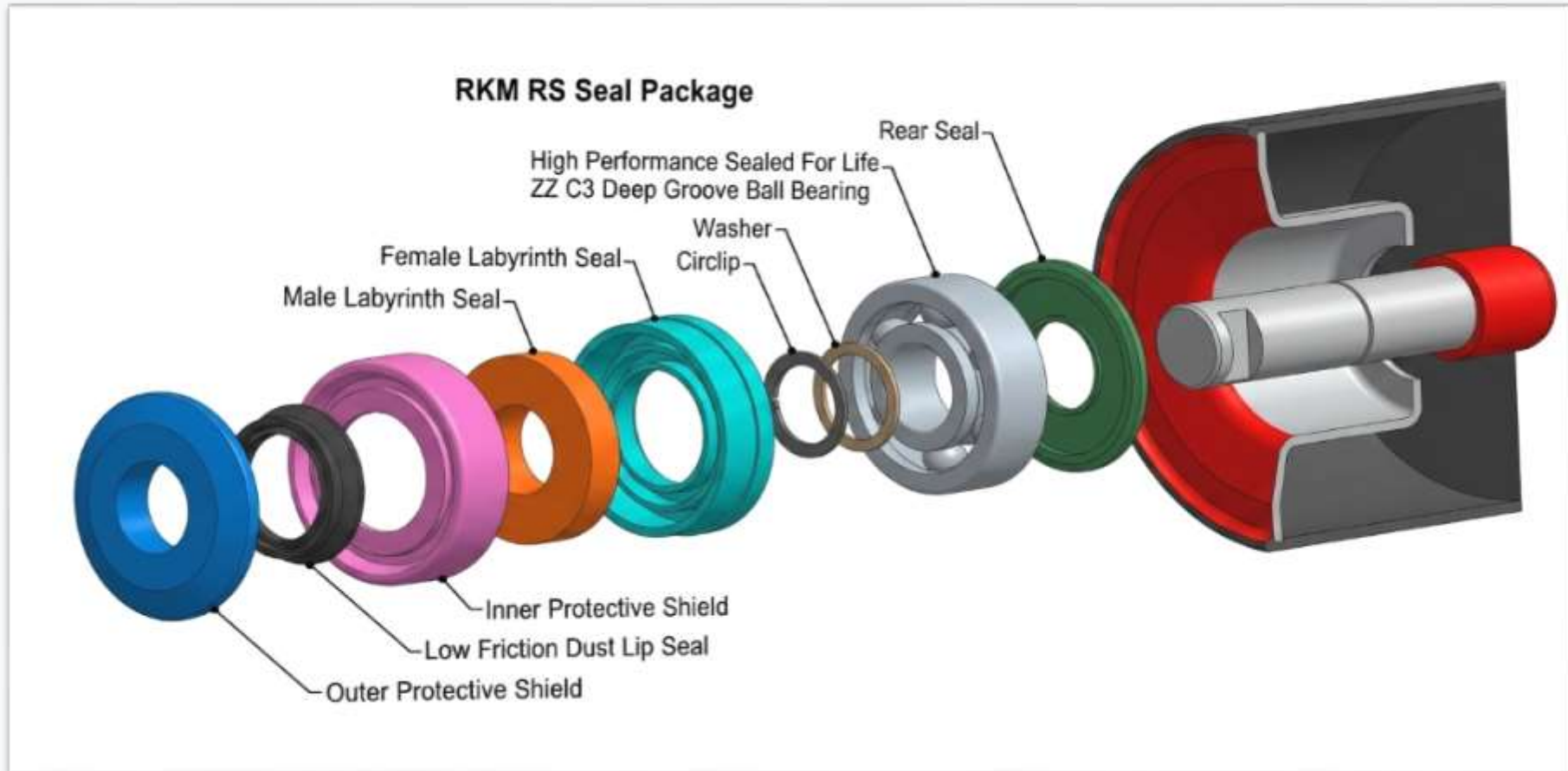


BELT TRACKING

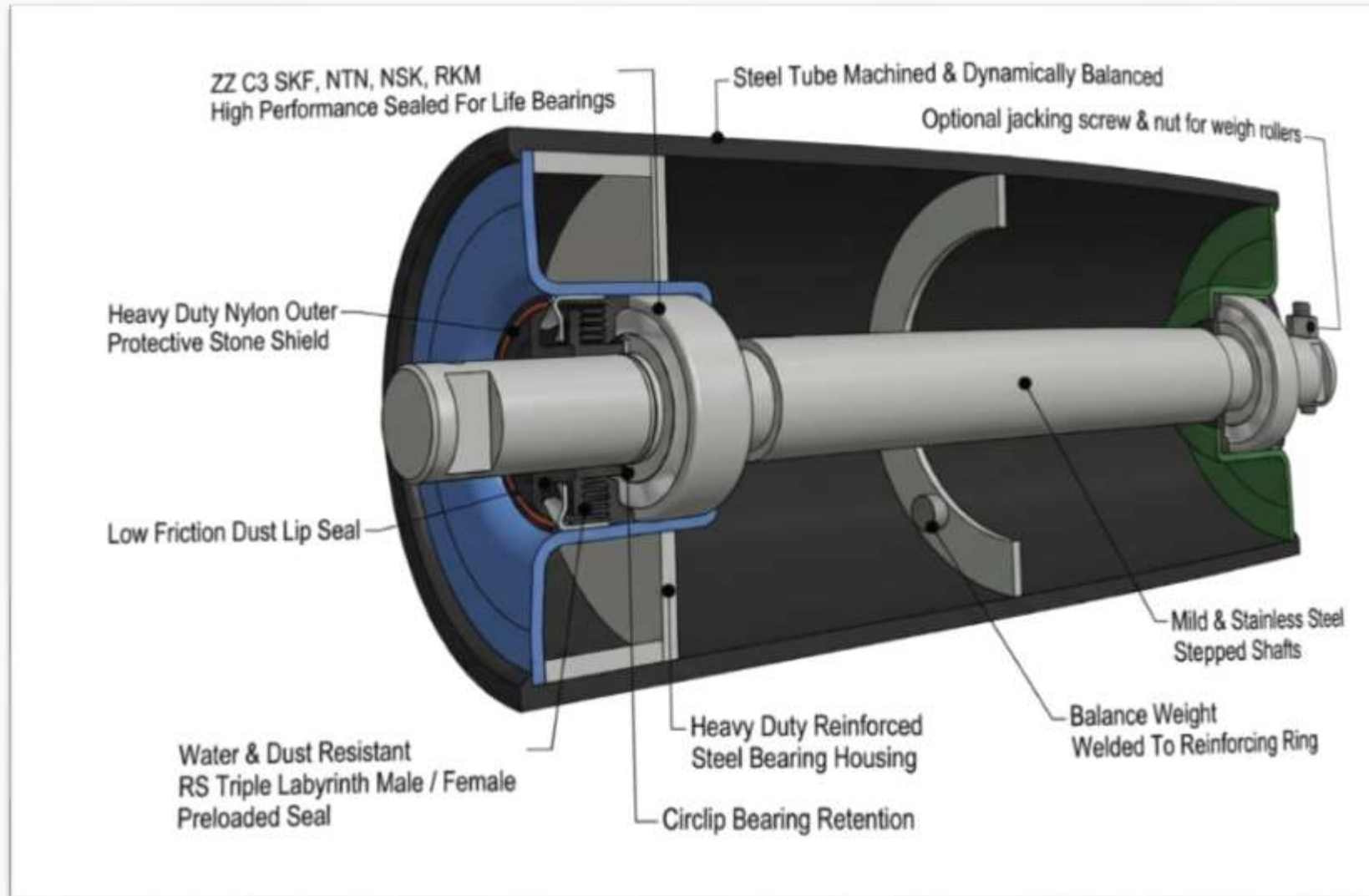
Retractable Conveyor Idlers Rollers Frames

- Frames can be out for easy replacement of rollers.
 - Having the ability to safely and quickly replace cut or damaged rollers enables you save money by protecting your expensive conveyor belt from premature replacement.
-

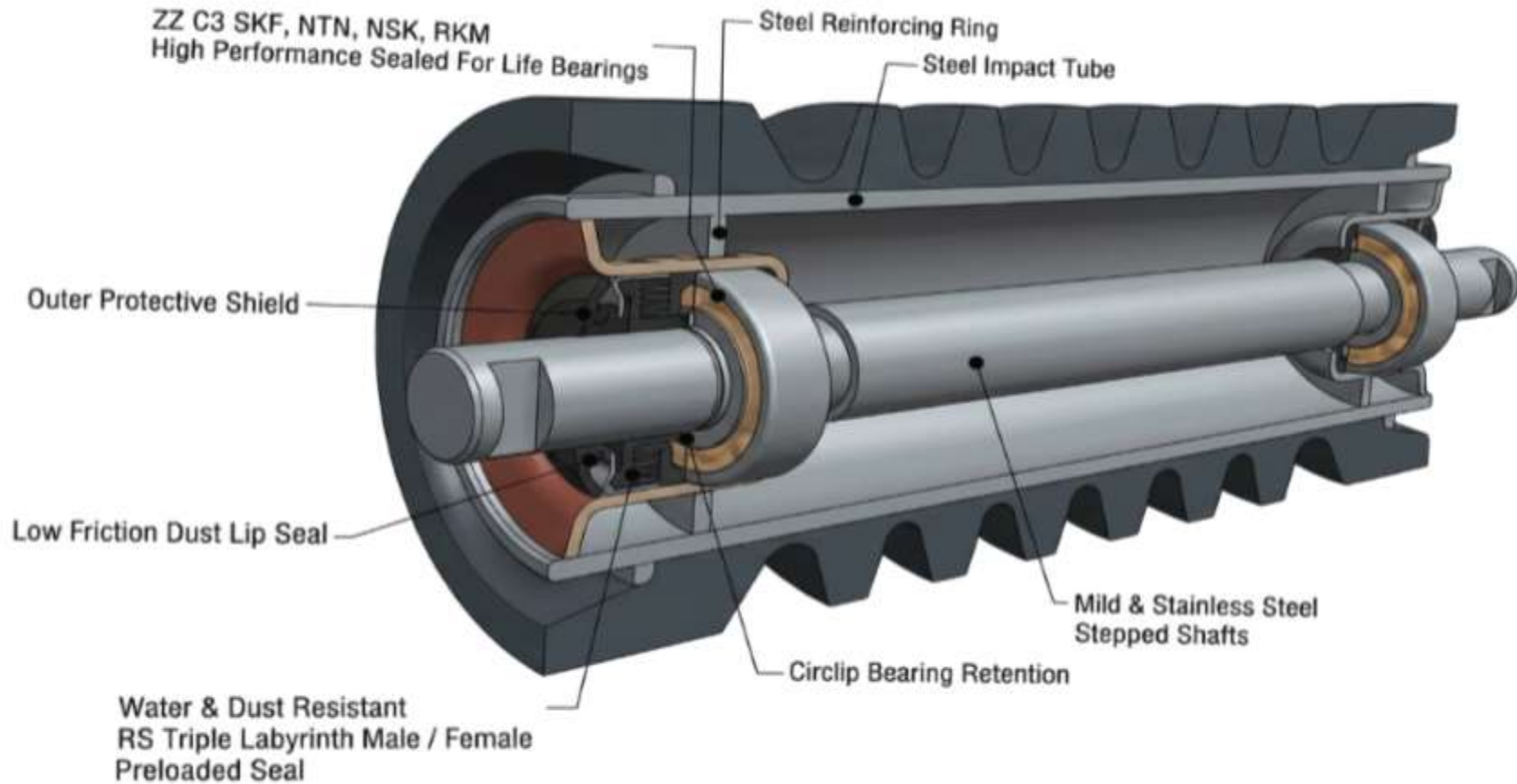
RS Steel Roller



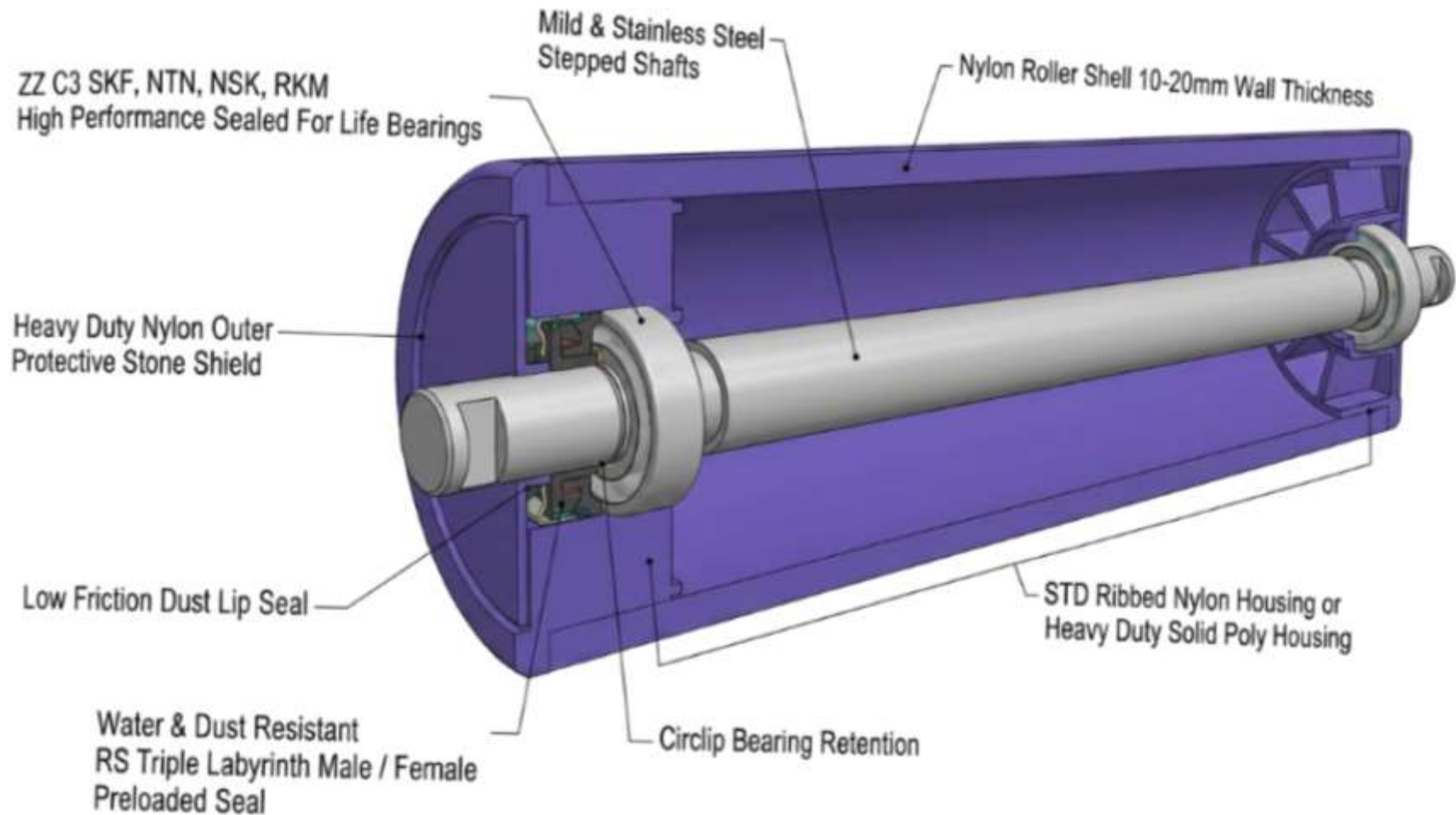
Low Noise Roller



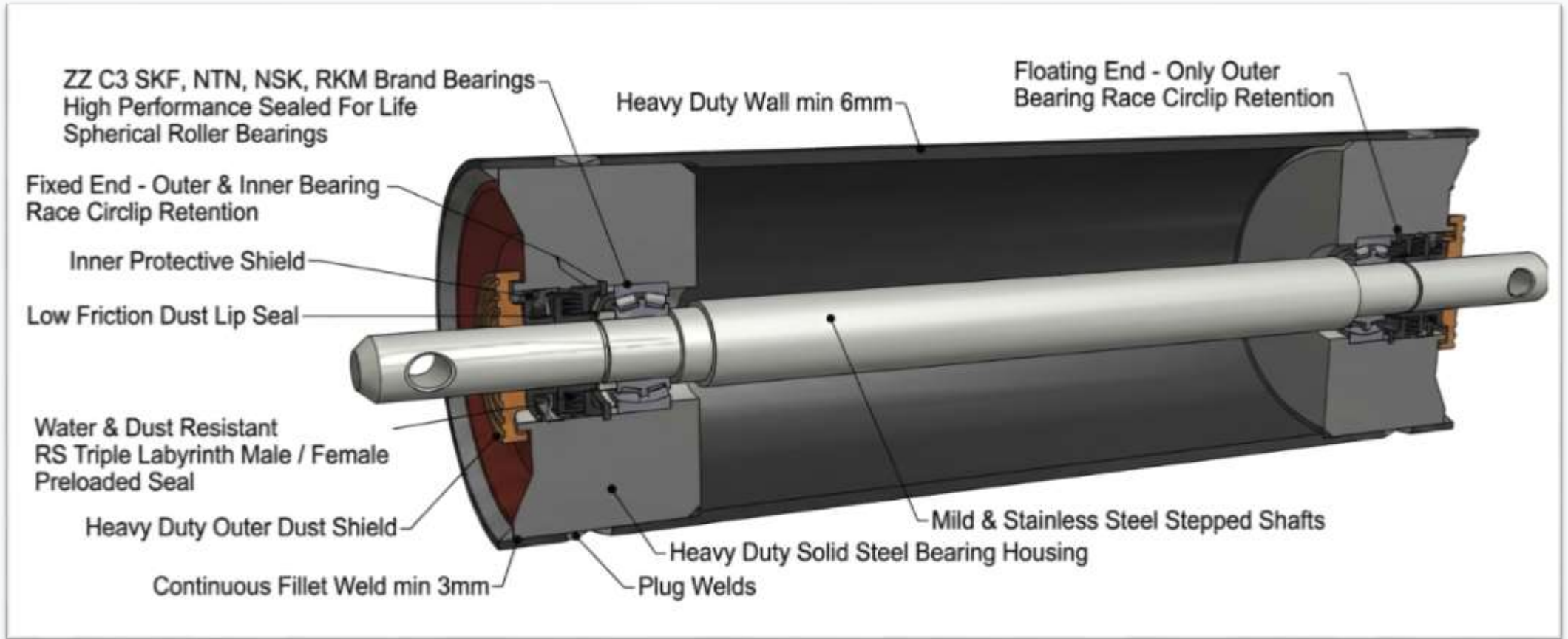
Impact Conveyor Roller



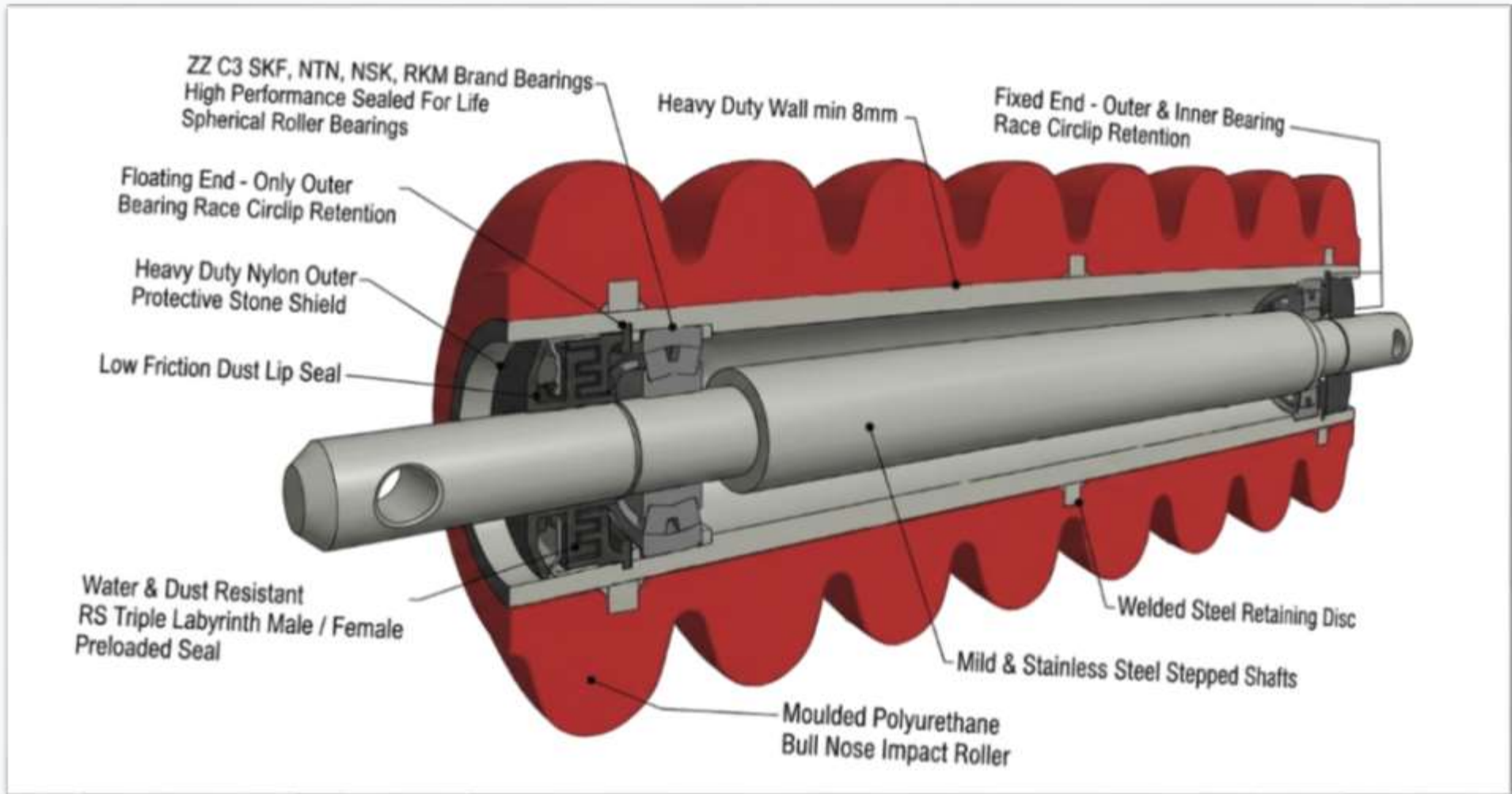
Heavy Duty Nylon Rollers



Heavy Duty Steel & Impact Rollers



Heavy Duty Steel & Impact Rollers



OUR PRODUCTS

Rubber Disc & Spiral Rollers



- Rubber disc and spiral roller are used on the return side of the belt as belt cleaners.
- Spaced rubber disc on roller are made from high performance rubber Material build-up on centre of belt will be broken up by the rubber rings.
- Spiral steel welded on the spiral roller acts as a screw and pushes the build-up material on the centre to the edge of the belt.

Unit Handling



Gravity Roller



Gravity Roller with PVC End Cap



Gravity Groove Roller with PVC End Cap



Gravity Groove Roller with Press Bearing



Friction Accumulation Mild Steel Sprocket Roller



Fixed Drive / Friction Accumulation PVC Sprocket



Taper Mild Steel Roller with PVC End Cap



Taper Mild Steel Sprocket Roller



Taper PVC Sprocket Roller



Mild Steel / Nylon Skate Wheel



Engineered for the industries that move the world.



01

Power Generation

Coal-fired and combined-cycle plants across Malaysia, China and the Middle East. Long-belt fuel handling, ash handling and limestone lines.



02

Quarry & Mining

Iron ore, coal, gold and copper operations — including BHP Billiton, Rio Tinto, FMG, Roy Hill and Anglo Coal.



03

Ports & Terminals

Bulk terminals and export loadouts including Port Hedland, Fangcheng, Zhanjiang and Guangzhou ports.



04

Cement

Siam Cement, Lafarge, TCC, Yadong, China Resources Cement and regional quarry operators rely on RKM for low-noise and heavy-duty lines.



05

Steel mill

Raw material handling for steel mills, Antara steel, Mega steel, om materials Perwaja Steel, Krakatau Steel, Andritz and Indah Kiat.



06

Airport Automation, Intra logistic

Baggage and cargo handling systems, warehouse automation and general unit handling for Daifuku, Rapiscan, KL Airport and more.

Trusted by global leaders in heavy industry & Unit industry.

MARQUEE CLIENTS

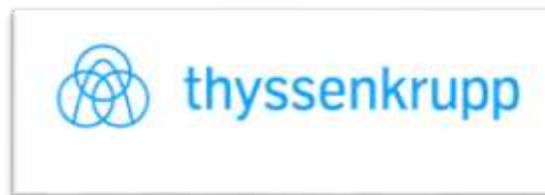
MINING & RESOURCES



POWER GENERATION



CEMENT, EPC & HANDLING



UNIT HANDLING & AUTOMATION



Proven at scale on world-class projects.



CASE STUDY · POWER

TNB Manjung 4 1,000 MW Power Plant

◆ PERAK, MALAYSIA · DELIVERED 2013

12,000

IDLER SETS SUPPLIED

3,500 t/h

PEAK THROUGHPUT

1,800 mm

MAX BELT WIDTH

4 m/s

BELT SPEED

SCOPE OF SUPPLY

- Carry & V-return idlers
- Carry & return bi-directional training idlers Weigh-quality
- carry rollers
- Heavy-duty impact rollers

REFERENCE PROJECTS

Selected project deliveries.

A snapshot of recent industrial-scale supplies from our order book — spanning iron ore, coal power, cement and pulp & paper.

END USER	PLANT	SCOPE	Ø IDLER	BELT WIDTH	YEAR
FMG Port Hedland	Iron Ore Mines	Idlers & Idler Frames	139 mm	1800 mm	2013
TNB Janamanjung	Coal Power Plant	Idlers & Idler Frames	165 mm	1400 / 1800 mm	2013
Asia Cement	Cement Plant (Taiwan)	Low-Noise Idlers	127 / 133 mm	1400 mm	2016
EGAT Power	Coal Power Plant	Heavy-Duty Suspended Rollers	194 mm	1800 / 2200 mm	2017
Hassyan Power Complex	Coal Power Plant (UAE)	Idlers & Idler Frames	127 / 152 mm	1400 / 1800 mm	2019
Roy Hill	Iron Ore Mines	Idlers & Idler Frames	152 / 194 mm	1800 / 2200 mm	2020
Andritz	Pulp & Paper	Idlers & Idler Frames	194 mm	2200 mm	2022
Hassyan Power Complex	Coal Power Plant (UAE)	Idlers & Idler Frames (repeat order)	127 / 152 mm	1400 / 1800 mm	2022

ISO 9001:2015 Certified Quality Management.



In-House Test Laboratory

Every product line is validated against industrial standards in our dedicated testing facility. Extended water-submersion testing runs rollers at 600 RPM for up to 72 hours, with water ingress acceptance held well inside specification.

01 Dynamic Balance

02 Rim Drag

03 Rotation Resistance

04 Radial Runout

05 Shaft Dislocation

06 Shaft Axial Loading

07 Water Submersion

08 Dust Penetration

ISO 9001:2015

QUALITY MANAGEMENT SYSTEM

Certified by Otabu Certification Pvt. Ltd. for the provision of manufacturing conveyor rollers and steel frames. Also recognised by SIRIM QAS International and awarded the SIRIM Quality Award.

SIRIM QAS Product Certification License



No Lesen : PR008101
Licence No :

LESEN PENSIJILAN BARANGAN

Product Certification Licence



SIRIM QAS International Sdn. Bhd. dengan ini menganugerahkan kepada
SIRIM QAS International Sdn. Bhd. hereby grants to

ROKONMA (M) SDN BHD
2-5, JALAN BUKIT BADAK
SUBANG NEW VILLAGE
40150 SHAH ALAM
SELANGOR, MALAYSIA

Lesen untuk menggunakan Tanda Pensijilan di atas barangan
a licence to use the Certification Mark on
ROLLER FOR BELT CONVEYOR

Please refer to detail in the SCHEDULE

sebagai mematuhi keperluan
as complying with
JS B 8303 : 1990



Mohd Azarudin bin Salleh
Pegawai Ususan
Managing Director
SIRIM QAS International Sdn. Bhd.

SIRIM QAS International Sdn. Bhd.
No. 2, Jalan 1/100A-2
A, Seksyen 104, Medan
Belian 2, Putrajaya 43000
43000 Putrajaya
Selangor Darul Ehsan
Melayu, MALAYSIA

Tel : 603-89590000
Faks : 603-89590000

http://www.sirim.com.my


Tarikh Mula Pensijilan : 29 June 2018
Certified Since

Sah Sehingga : 29 June 2019
Valid Until

Tarikh Dikeluarkan : 08 June 2018
Issue Date

No Siri : 032427
Serial No.


Lesen ini dianugerahkan terbalik kepada semua pemohon Pensijilan Barangan SIRIM QAS International Sdn. Bhd.
The Licence is granted subject to the provisions of the Product Certification Agreement of SIRIM QAS International Sdn. Bhd.



No Lesen : PR008101
Licence No :

SCHEDULE

ROKONMA (M) SDN BHD



Trade Mark : ROKONMA, RKM
Model : MODEL = RKM-NS, RKM-LS, RKM-MS ;
CLASSIFICATION = CARRIER ROLLER (CR) AND RETURN ROLLER (RR)
Rating : BELT WIDTH (MM) : 400, 450, 500, 600, 650, 750, 800, 900, 1000, 1050, 1200,
1400, 1600, 1800, 2000, 2200, 2400, 2600

End of page

SIRIM QAS International Sdn. Bhd.
No. 2, Jalan 1/100A-2
A, Seksyen 104, Medan
Belian 2, Putrajaya 43000
43000 Putrajaya
Selangor Darul Ehsan
Melayu, MALAYSIA

Tel : 603-89590000
Faks : 603-89590000

http://www.sirim.com.my

Tarikh Mula Pensijilan : 29 June 2018
Certified Since

Sah Sehingga : 29 June 2019
Valid Until


Tarikh Dikeluarkan : 08 June 2018
Issue Date

No Siri : 032427
Serial No.

Lesen ini dianugerahkan terbalik kepada semua pemohon Pensijilan Barangan SIRIM QAS International Sdn. Bhd.
The Licence is granted subject to the provisions of the Product Certification Agreement of SIRIM QAS International Sdn. Bhd.

Page 1 of 1

Nearly four decades of engineered reliability.

- 
- 1987** Rokonma (M) Sdn Bhd established in Malaysia as a specialist manufacturer of belt conveyor accessories.
 - 1999** Engaged **SIRIM** to establish in-house test laboratory; completed delivery of 1200 & 1350 BW idlers for **TNB Kapar Power Plant**.
 - 2000** Awarded **SIRIM QAS product certification** for conveyor rollers.
 - 2008** Expanded manufacturing capacity with the establishment of **Rokonma (Dongguan) Co. Ltd.** in China.
 - 2011** Delivered **1800 BW idlers for FMG Port Hedland T155** — approximately 50,000 idler sets.
 - 2013** Completed delivery of **12,000 idler sets to TNB Manjung 4** (1,000 MW power plant); relocated Dongguan to new Qishi town plant.
 - 2014** Won the **SIRIM Quality Award** for product quality.
 - 2025** Recertified to **ISO 9001:2015** by Otabu Certification — continuing commitment to internationally audited quality.

Q&A

**HEAD OFFICE**

Rokonma (M) Sdn Bhd (123360-A)
2-S, Jalan Bukit Badak, Subang New Village
40150 Shah Alam, Selangor, Malaysia

OFFICE

+603-7846 2554

7846 2824 · 7846 3355
7847 5564 · 7847 5448

WHATSAPP

+60-19-659 8232

EMAIL · WEB

sales@rokonma.com.my

www.rokonma.com.my